

QUASER
we cut faster

QUASER
we cut faster

MV1 SERIES

**QUASER MACHINE TOOLS,
INC.**

Address: No. 3, Gong 6th Rd.,
Youshih Industrial
Park, Dajia Dist,
Taichung City 43768,
Taiwan
Tel: +886 4 26821277
Fax: +886 4 26822045
E-mail: sales@qmt.com.tw
Web: www.quaser.com

**QUASER EUROPE TECHNIC
CENTER - SWITZERLAND**

Address: Unterlettenstrasse
16, CH- 9443 Widnau
Switzerland
Tel: +41 71 722 43 43
Mobile phone: +41798229028
E-mail: qe@qmt.com.tw

**KUNSHAN QUASER
MACHINE TOOLS, INC.**

Address: (B) No. 287,
Kangzhuang Road,
Zhoushi Town,
Kunshan City,
Jiangsu, P.R. China
Tel: 0512-82627139
Fax: 0512-82627138
E-mail: qmtc@qmt.com.tw

**QUASER AMERICA MACHINE
TOOLS INC.**

Address: 3049 Southcross
Boulevard, Rock Hill,
SC, 29730, UNITED STATES
Tel: +1 803-324-7123
Fax: +1 888-459-8175
E-mail: qa@qmt.com.tw

Fold here for filing!

19982001/MACB/S, TEL: 04-2473326

CONTENTS

MV1 SERIES	03-04
Unique spindle technology	05-06
ATC system	07-08
Coolant system & Chip management	09-10
Easy operation	11-12
Precision accuracy	13-14
Thermal Management	15-16
MV134 technical data	17-18
MV154 / MV184 technical data	19-20
Standard / Option accessories	21-22
Machine Dimensions	23-25
We build machines in a hybrid way	26



MV154 MV154L
Generation I (2003~2007)



MV154 MV154L
Generation II (2007~2010)

- C** : Cost effect
- E** : Standard
- P** : Performance
- M** : High precision
- D** : Mold processing



MV154 C / E / P / M MV184 C / D / E / P / M
Generation III (2010~2017)



Generation IV

- Enlarge the machining status observation window
- Ergonomic operation panel with adjustable angle
- Maintenance door with improved accessibility, suitable for long workpiece machining

New!

MV134C / E / P



Note: The object might be different from the photo of catalogue if there is any specification update.

MV1 SERIES

MV134 C / E / P

Travel X / Y / Z: 661 / 572 / 560 (mm)

MV154 C / E / P

Travel X / Y / Z: 762 / 530 / 560 (mm)

MV184 C / D / E / P

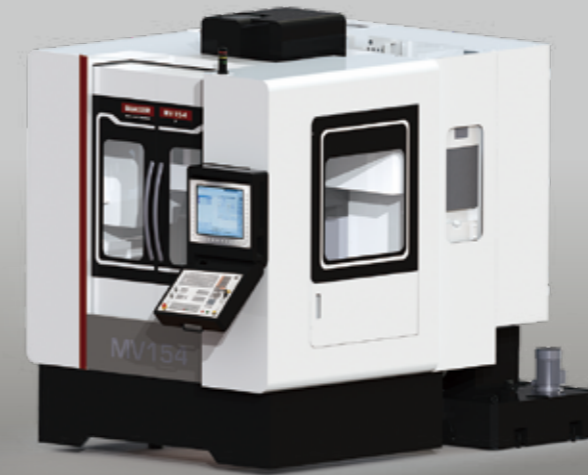
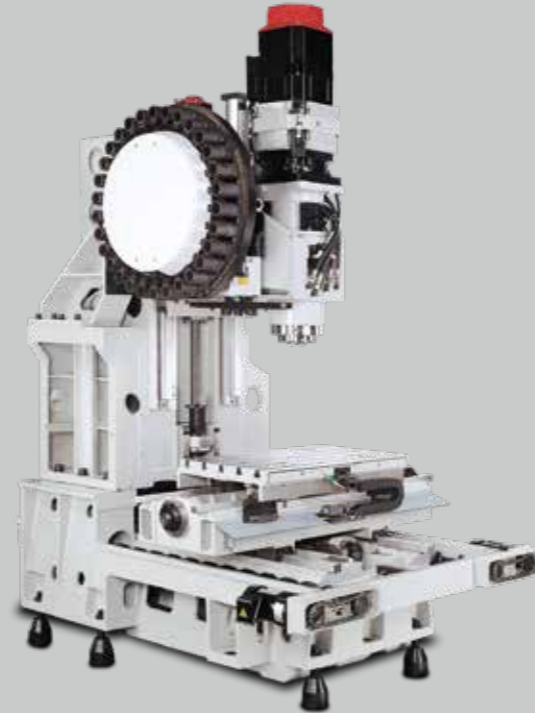
Travel X / Y / Z: 1,020 / 610 / 610 (mm)

MV154 M

Travel X / Y / Z: 700 / 530 / 560 (mm)

MV184 M

Travel X / Y / Z: 900 / 610 / 610 (mm)

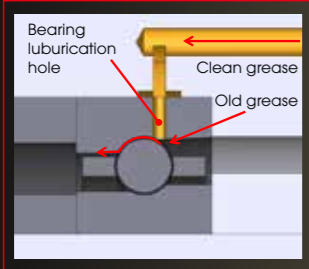
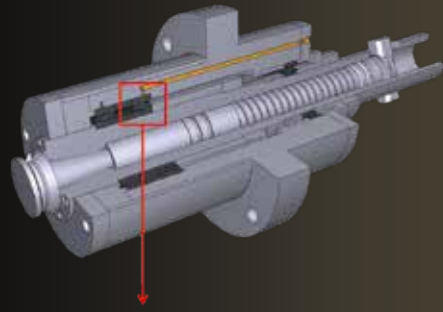


FANUC = **F** SIEMENS = **S** MITSUBISHI = **M** HEIDENHAIN = **T**

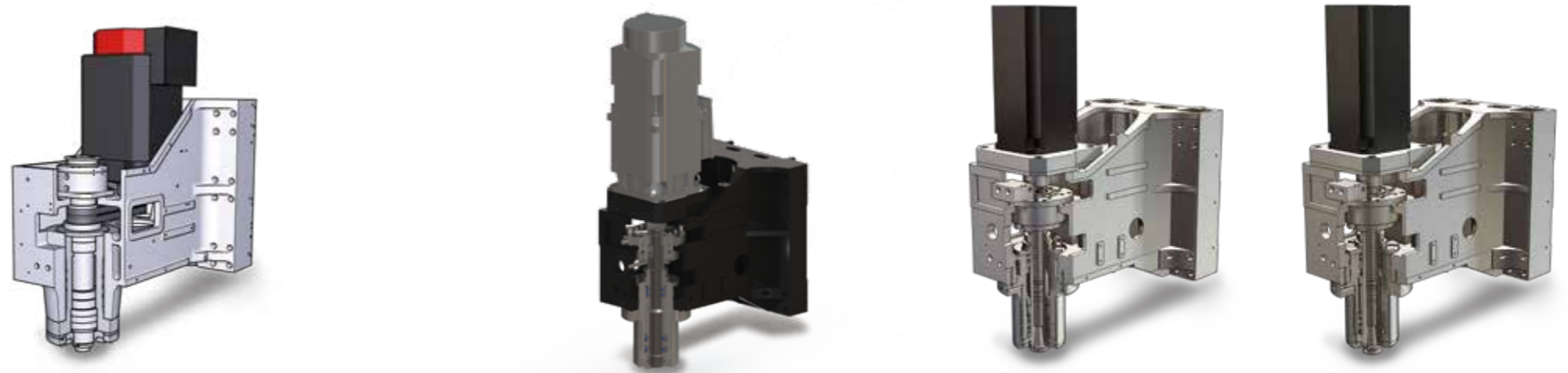
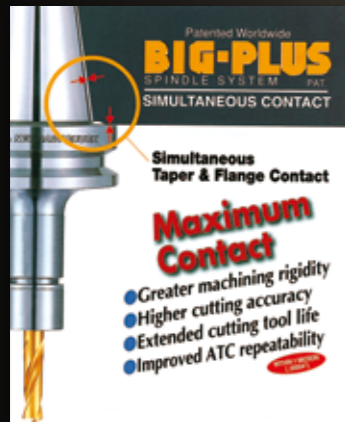
Motor	MV134C	MV134E	MV134P				MV154C & MV184C		MV154E & MV184E		MV154P & MV184P				MV154M & MV184M		MV184D				
Spindle code	12C	9B	12B	9B	12B	15C	20C	10C	12C	9B	12B	9B	12B	15C	20C	15C	20C	12C	15C	20C	
X / Y / Z (kW)	F	3 / 3 / 4				-	3 / 3 / 4	3 / 3 / 4	3 / 3 / 4				4 / 4 / 5.5		3 / 4 / 4						
	S	2.7 / 2.7 / 3.1	2.7 / 2.7 / 3.1	2.7 / 2.7 / 4.9		-	-	2.7 / 2.7 / 3.1	-	2.7 / 2.7 / 4.9				-	-	-	-	-	3.3 / 3.1 / 4.9	-	
	M	2.2 / 2.2 / 3	-	-		2.2 / 2.2 / 3		-	-	-				-	-	-	-	-	-	-	-
	T	-	3.1 / 3.1 / 4.5	4.5 / 4.5 / 5.1	4.5 / 4.5 / 5.4	-	-	-	3.1 / 3.1 / 4.5	4.5 / 4.5 / 5.1	4.5 / 4.5 / 5.4	-	5.1 / 5.4 / 5.4	-	-	-	-	-	-	-	

Unique spindle technology

- Re-grease supply system is stable and eco-friendly by supplying new grease intermittently to bearings during high speed rotation.



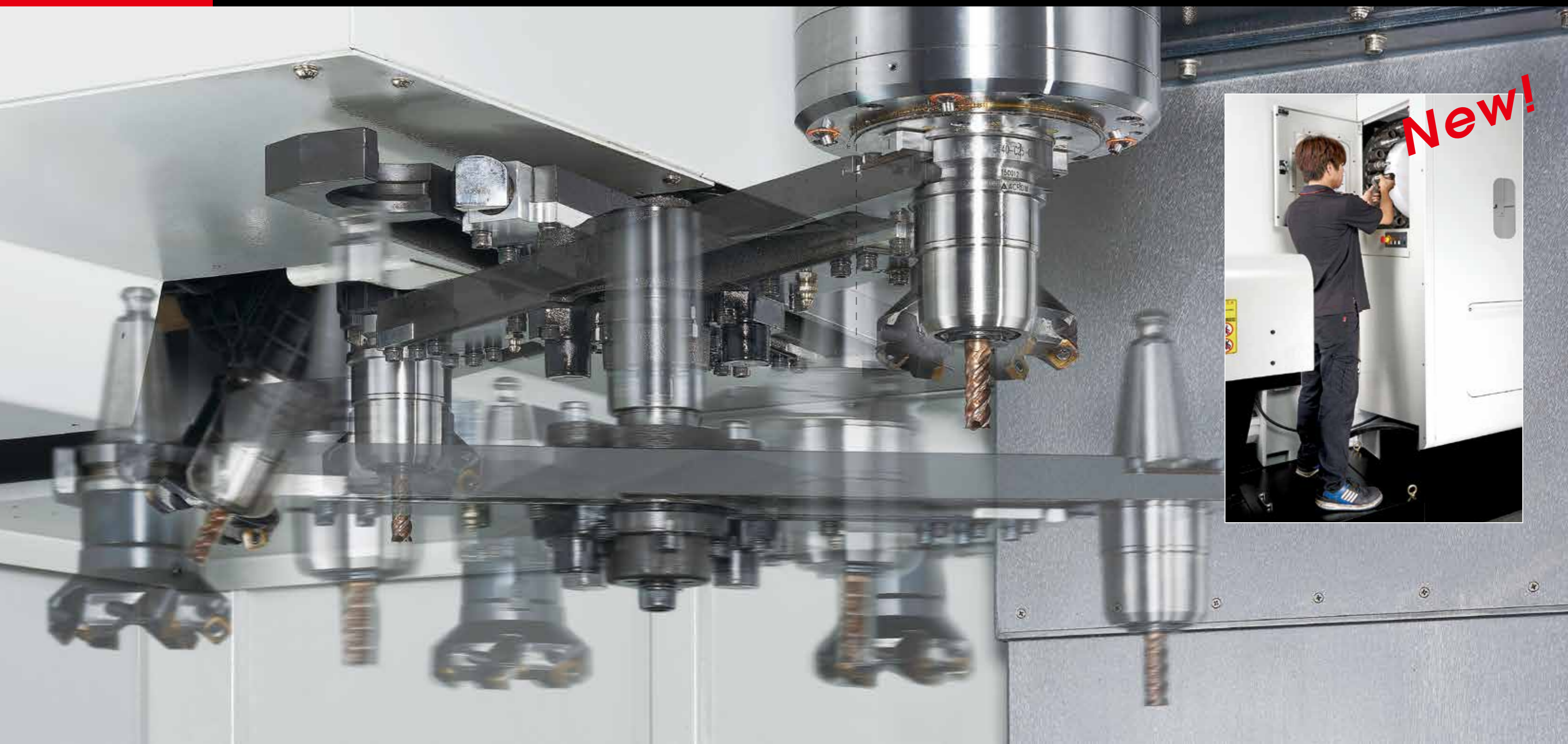
- Standard on all models



New spindle code	MB-4.0				SC-4.2				MC-4.1R		MC-4.0R	
Shaft diameter	Ø70 / Ø65				Ø80 / Ø70				Ø80 / Ø65		Ø70 / Ø60	
Spindle Taper	ISO-40				ISO-40				ISO-40 / HSK A63			
Bearing arrangement	< > =				<< >>				< > =		< > =	
Ball bearing type	Ceramic				Ceramic				Ceramic		Ceramic	
Roller bearing type	Steel				-				Steel		Ceramic	
Bearing lubrication	Grease packed				Grease packed				Re-Grease			
Transmission	Belt				Coupling				Coupling			
Spindle Speed	9,000	12,000	9,000	12,000	10,000	12,000		15,000	20,000			
FANUC												
Spindle base speed	1,125	1,500	1,125	1,500	-	1,500	1,500	1,500	1,400	1,150		
Spindle output power kW (S3-25%)	18.5		25		-	18.5	15	15	26	15		
Spindle output torque Nm (S3-25%)	157	118	212	159	-	118	95.5	96.5	177	125		
HEIDENHAIN												
Spindle base speed	1,125	1,500	1,125	1,500	-	-	-	2,000	-			
Spindle output power kW (S6-25%)	17		32		-	-	-	27.7	-			
Spindle output torque Nm (S6-25%)	144	108	272	204	-	-	-	132	-			
SIEMENS												
Spindle base speed	1,125	1,500	1,125	1,500	-	1,500		2,000	-			
Spindle output power kW (S6-25%)	17.6		28.5		-	17.6		27.7	-			
Spindle output torque Nm (S6-25%)	149 ⁽¹⁾	112 ⁽¹⁾	242	182	-	112		132	-			
MITSUBISHI												
Spindle base speed	-	-	-	-	1,500	1,500	1,500	1,500	1,500	-	-	
Spindle output power kW (30min.)	-	-	-	-	15	11	18.5	11	18.5	-	-	
Spindle output torque Nm (30min.)	-	-	-	-	96	70	102	70	102	-	-	
CTS Availability	●	●	●	●	X	X		Opt.	●	●		
Available NC adapting					FANUC = ● HEIDENHAIN = ●				SIEMENS = ● MITSUBISHI = ●			
MV134 C	-	-	-	-	-	● ● ●	-	● ● ●	-	-	-	
MV134 E	● ●	● ●	-	-	-	-	-	-	-	-		
MV134 P	● ●	● ●	●	●	-	-	-	-	● ● ●	-	●	
MV154C / MV184 C	-	-	-	-	●	-	● ● ●	-	● ● ●	-	-	
MV154E / MV184 E	● ●	● ●	-	-	-	-	-	-	-	-		
MV154P / MV184 P	-	-	● ● ●	● ● ●	-	-	-	-	-	● ● ●	●	
MV154M / MV184 M	-	-	-	-	-	-	-	-	-	● ●	●	
MV184D	-	-	-	-	-	●	-	●	-	● ●	●	

Note : ⁽¹⁾S6-40%

ATC system



New!

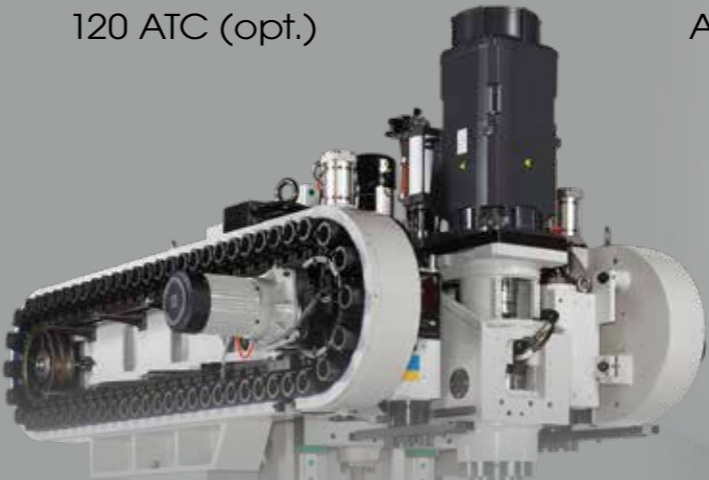
30 ATC (std.)

48 ATC (opt.)

60 ATC (opt.)

120 ATC (opt.)

ATC auto door (opt.)



Coolant system & Chip management



		MV134			MV154 / MV184				MV184
		C	E	P	C	E	P	M	D
A	Coolant tank	350L			480L				480L
B	Coolant through spindle	-	8 bar		-	8 bar		20 bar	Opt.
C	Nozzle coolant	3 bar			3 bar				
D	Wash gun	Std.			Std.				
E	Chip augers	Std.			Std.				
F	Chip conveyor	Scraper type	Opt.	Std.	Opt.	Std.		Opt.	
G	Filtration unit	-	Opt.		-	Opt.			
H	High-angle telescopic cover design with excellent chip	Std.			-				
I	Wash down	1.1 bar			3 bar				



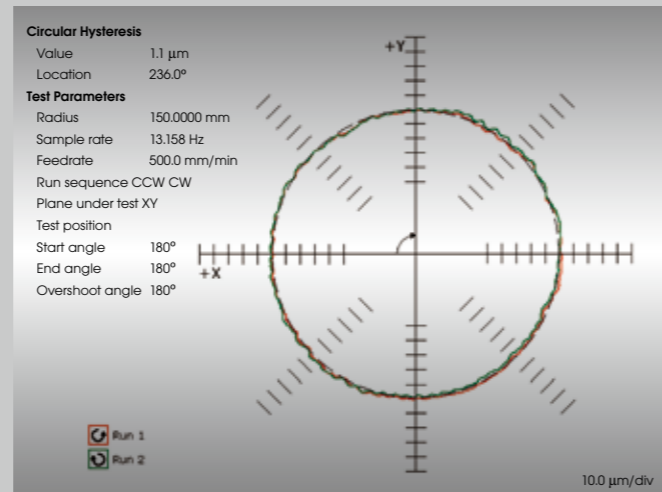
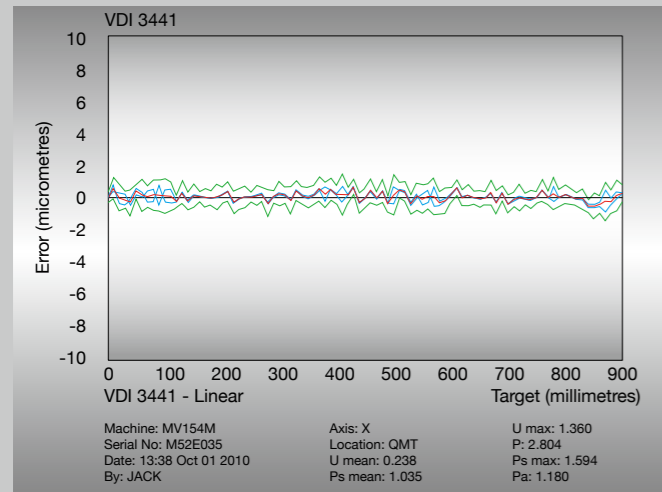
Easy operation



- a** Front door opening at
 - MV134: 730 mm
 - MV154: 821 mm
 - MV184: 1,077 mm
- b** Larger opening for service or exchange to auto door for robot
- c** Ergonomic operation panel with adjustable angle
- d** Convenient distance from operator to the spindle
 - MV134: 715 mm
 - MV154: 753 mm
 - MV184: 861 mm
- e** Table to front door with easy accessibility
 - MV134: 154 mm
 - MV154: 168 mm
 - MV184: 255 mm

Precision accuracy

Positioning accuracy=1.180 μm VDI 3441 Feed rate: 500 mm / min, Value: 1.1 μm



Note: The above data is sampled randomly selected from M-model machine.

Results

Text island height

Q = 3.0 μm

U = 2.5 μm

A = 2.0 μm

S = 1.5 μm

E = 1.0 μm

R = 0.5 μm

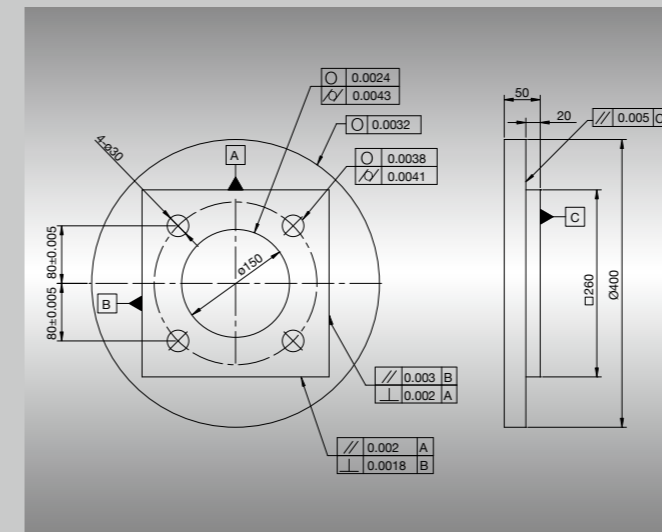


ISO 10791-1 / ISO 10791-4.2	ISO STANDARD	QUASER STANDARD		
		(MV134/C & /E & /P) (MV154/C & /E & /P) (MV184/C & /D & /E & /P)	(MV154M / MV184M)	
Straightness	X	0.015 / Full Stroke	0.010 / Full Stroke	0.005 / 0.008
	Y	0.010 / Full Stroke	0.010 / Full Stroke	0.005 / 0.005
	Z	0.010 / Full Stroke	0.010 / Full Stroke	0.005 / 0.005
Perpendicularity	X-Y	0.02 / 500	0.01 / 500	0.006 / 0.006
	Y-Z	0.02 / 500	0.01 / 500	0.006 / 0.006
	Z-X	0.02 / 500	0.01 / 500	0.006 / 0.006
Positioning accuracy (VDI 3441)	X	0.02	0.01	0.003 / 0.005
	Y	0.016	0.008	0.003 / 0.003
	Z	0.016	0.008	0.003 / 0.003
Positioning repeatability (VDI 3441)	X	0.008	0.004	0.002 / 0.003
	Y	0.006	0.004	0.002 / 0.002
	Z	0.006	0.004	0.002 / 0.002
Spindle run-out on table surface (for 300 mm distance)		0.02 / 300	0.01 / 300	0.005 / 0.005
Spindle run-out (with a test bar mounted)	At base	0.01	0.004	0.003 / 0.003
	At 300 mm	0.02	0.008	0.006 / 0.006
Circularity (Ø300 mm, F5000 & F500)	CW	N.A	0.010	(0.003 / 0.003)*
	CCW	N.A	0.010	(0.003 / 0.003)*

Note: * Ø300 mm, F500

Unit: mm

The measuring results indicated in this catalog are provided as an example by random selection.



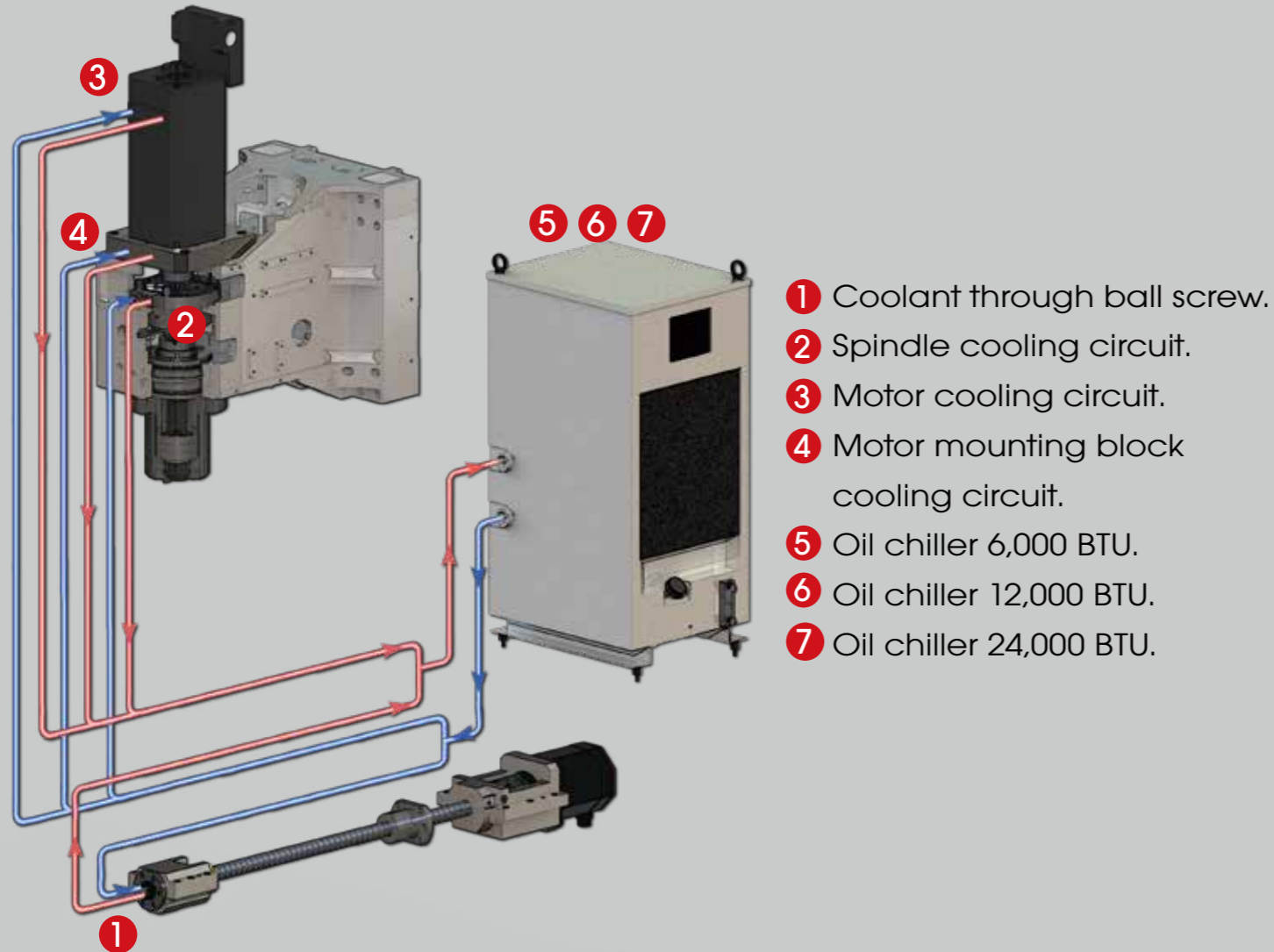
M model

Machining test parts is measured by LEITZ pmmc and each geometric accuracy test result is less than 0.005mm.



Thermal Management

To meet the demand of severe ACCURACY requirements, our "THERMAL MANAGEMENT":



Heat generated from spindle and spindle motor are quickly removed by cooling circuits on spindle housing, spindle motor, motor mounting plate and spindle head. The heat is exchanged by a large capacity oil chiller, and the thermal compensation function to reduce thermal impact to a minimum.



●=Standard ○=Option x=N/A

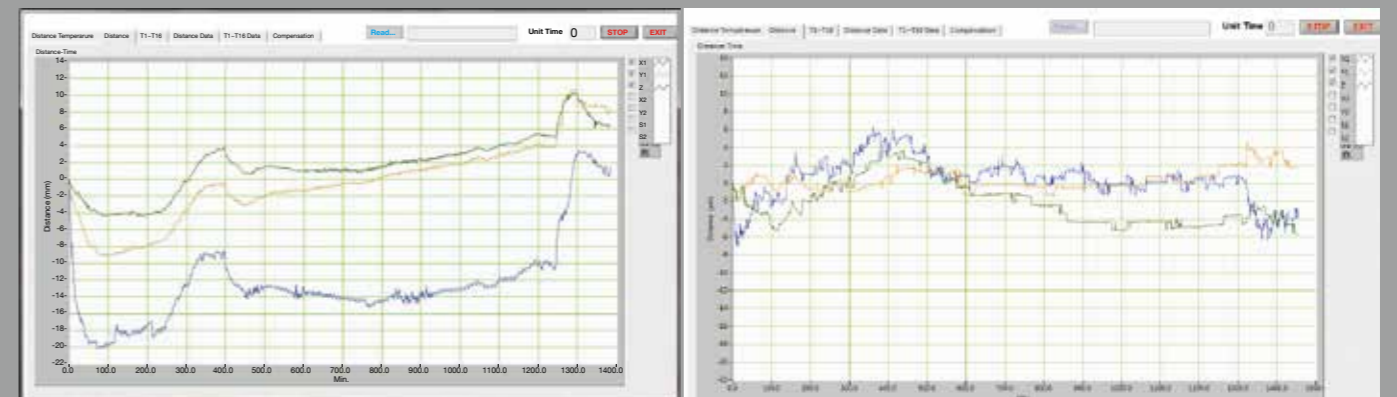
	MV134C	MV134E	MV134P		MV154C/ MV184C		MV154E/ MV184E		MV154P/ MV184P		MV154M/ MV184M		MV184D
	Coupling	Belt	Belt	Coupling	Belt	Coupling	Belt	Belt	Coupling	Coupling	Coupling	Coupling	
1	x	x	○	○	x	x	x	○	○	●	○	○	
2	●	●	●	●	●	●	●	●	●	●	●	●	
3	x	x	x	● Note2	x	x	x	x	● Note2	● Note2	● Note2	● Note2	
4	●	x	x	●	x	●	x	x	●	●	●	●	
5	●	●	●	x	●	●	●	●	x	x	●	●	
6	x	x	x	● Note1	x	x	x	x	● Note1	● Note1	○	○	
7	x	x	x	● Note2	x	x	x	x	● Note2	● Note2	x	x	

Note1: 15,000 rpm / ● Note2: 20,000 rpm / ●

Thermal compensation on X, Y & Z

Before

After



Control: (F)=FANUC (T)=HEIDENHAIN (M)=MITSUBISHI (S)=SIEMENS

Technical data		MV134		
		C	E	
Spindle code		12C	9B	12B
Work range				
Table size (mm)		940 x 550		
Travel X / Y / Z (mm)		661 / 572 / 560		
Spindle nose to table surface (mm)		100 ~ 660		
Table load capacity (kg)		500		
Feed drive				
Feed force	X / Y / Z (N)	6,283 / 6,283 / 11,519 (F) 6,283 / 6,283 / 10,472 (S) 6,283 / 6,283 / 11,781 (M)	6,283 / 6,283 / 11,519 (F) 6,807 / 6,807 / 9,268 (T)	
Rapid movement	X / Y / Z (m/min)	36 / 36 / 36		
⁽¹⁾ Acceleration	X / Y / Z (m/s ²)	6 / 5 / 4 (F)(M) 4.6 / 4.4 / 5.7 (S)	6 / 5 / 4 (F) 3 / 3 / 2.5 (T)	
Dia & pitch of the ball screw		∅40 / P= 12		
Accuracy Positioning / Repeatability				
ISO 230-2		0.008 / 0.004		
JIS 6338 (300 mm)		±0.003 / ±0.002		
VDI 3441		0.008 / 0.004		
Main spindle				
Spindle Taper		40 Taper		
Max. spindle speed		12,000	9,000	12,000
Tool changer				
Tool selection		Random		
Magazine positions		30 (std.)	30 (std.) 48 / 60 (opt.)	
Max. tool diameter (mm)		∅76.2		
Max. tool dia. Due to neighbor pots are empty		∅150		
Max. tool length (mm)		300		
Max. tool weight (kg)		10		
T to T time-ISO 10791-9 (sec.) ⁽³⁾		1.7		
C to C time-ISO 10791-9 (sec.) ⁽³⁾		4.1		
Coolant system				
Coolant tank capacity (Liter)		350L		
Pump capacity		75L / min., 3 bar		
- Nozzle capacity		75L / min., 3 bar		
- Coolant through spindle		-	25 L / min., 8 bar	
- Wash down		75L / min., 1.1 bar		
Machine size				
Height (mm)		3,000		
Floor space W x D (mm)		30 ATC	2,050 x 3,141	
		48 / 60ATC	-	2,050 x 3,141
Weight (kg)		6,000 (30ATC)	6,000(30ATC) 6,400(48ATC) 6,600(60ATC)	
Connections				
Main power		220V or 380V or 400V or 415V / 50Hz or 60Hz		
Power consumption (KVA)		23 (F) 23 (S) 20.6 (M)	23 (F) 24.8 (T)	

Note: ⁽¹⁾ Test condition: values are measured by half of the maximum table load capacity. ⁽²⁾ Only for FANUC control. ⁽³⁾ At 60Hz.

- Machine specification might be different from the catalogue if there is any specification update.

Main spindle: (B) Belt spindle (C) Coupling spindle

MV134				
P				
9B	12B	15C	20C ⁽²⁾	
940 x 550				
661 / 572 / 560				
100 ~ 660				
500				
4,712 / 4,712 / 8,639 (F) 6,951 / 6,951 / 8,482 (T) 4,712 / 4,712 / 10,603 (S)		4,712 / 4,712 / 8,639 (F) 6,951 / 6,951 / 10,249 (T) 4,712 / 4,712 / 10,603 (S)		4,712 / 4,712 / 8,639 (F)
48 / 48 / 48				
8 / 6 / 4 (F) 5 / 3.5 / 5.5 (T) 5.3 / 4.7 / 5.7 (S)		8 / 6 / 4 (F) 4.5 / 3.5 / 5.5 (T) 8 / 5.3 / 5.7 (S)		8 / 6 / 4 (F)
∅40 / P= 16				
0.008 / 0.004				
±0.003 / ±0.002				
0.008 / 0.004				
40 Taper				
9,000	12,000	15,000	20,000	
Random				
30 (std.) 48 / 60 (opt.)				
∅76.2				
∅150				
300				
10				
1.7				
4.1				
350L				
75L / min., 3 bar				
25 L / min., 8 bar				
75L / min., 1.1 bar				
3,000				
2,050 x 3,141				
2,050 x 3,141				
6,000(30ATC) 6,400(48ATC) 6,600(60ATC)				
220V or 380V or 400V or 415V / 50Hz or 60Hz				
23 (F) 31.4 (T) 29.3 (S)		23 (F) 29 (T) 27 (S)		29(F)

Control: (F)=FANUC (T)=HEIDENHAIN (M)=MITSUBISHI (S)=SIEMENS

Technical data		MV154 / MV184			
		C		E	
Spindle code		10C	12C	9B	12B
Work range					
Table size (mm)		900 x 500 1,200 x 600			
Travel X / Y / Z (mm)		762 / 530 / 560 1,020 / 610 / 610			
Spindle nose to table surface (mm)		150 ~ 710 100 ~ 710			
Table load capacity (kg)		500			
Feed drive					
Feed force X / Y / Z (N)	F	-	6,283 / 6,283 / 11,519	4,712 / 4,712 / 11,519	
	T	-	-	6,807 / 6,807 / 9,268	
	M	6,283 / 6,283 / 11,781		-	
	S	-	4,712 / 4,712 / 10,472	-	
Rapid movement X / Y / Z (m/min)		32 / 32 / 24 (F) (M) (S)		40 / 40 / 36 (F) 32 / 32 / 24 (T)	
⁽¹⁾ Acceleration X / Y / Z (m/s ²)	F	-	3.5 / 3.5 / 3	4 / 4 / 4	
	T	-	-	2.5 / 2 / 2	
	M	2.9 / 2.9 / 2.8		-	
	S	-	3.5 / 2.5 / 2	-	
Dia. & pitch of the ball screw		Ø45 / P = 12 / 12 / 12 (F) Ø45 / P = 12 / 12 / 12 (M) Ø45 / P = 16 / 16 / 12 (S)		Ø45 / P = 16 / 16 / 12 (F) Ø45 / P = 12 / 12 / 12 (T)	
Accuracy Positioning / Repeatability					
ISO 230-2		0.008 / 0.004			
JIS 6338 (300 mm)		±0.003 / ±0.002			
VDI 3441		0.008 / 0.004			
Main spindle					
Spindle model		40 Taper			
Max. spindle speed		10,000	12,000	9,000	12,000
Tool changer					
Tool selection		Random			
Magazine positions		30	30 (std.) 48 & 60 (opt.)		
Max. tool diameter (mm)		76.2			
w/o adjacent tool (mm)		125			
Max. tool length (mm)		280			
Max. tool weightv (kg)		7			
CTC time -ISO 10791-9 (sec.) ⁽³⁾		4.2 (F) 4 (M) 4.7 (S)		4 (F) 4.2 (T)	
Coolant system					
Coolant tank capacity (Liter)		480L			
Pump capacity		75 L / min., 3 bar			
- Nozzle coolant		75 L / min., 3 bar			
- Coolant through spindle		-	25 L / min., 8 bar		
- Wash down		75 L / min., 3 bar			
Machine size					
Height (mm)		3,025 / 3,030		2,860	
Floor space W x D (mm)	30 ATC	2,100 x 3,036 / 2,548 x 3,240		2,663 x 3,135 / 2,912 x 3,339	
	48 / 60ATC	-		2,663 x 3,135 / 2,663 x 3,240 2,912 x 3,339 / 2,912 x 3,349	
Weight (kg)		6,000-6,300 / 6,990		6,100-6,400 / 7,090	
Connections					
Main power		220V or 380V or 400V or 415V / 50Hz or 60Hz			
Power consumption (KVA)		20 (M)	16 (F) 20 (M) 29 (S)	20 (F) 21 (T)	

Note: ⁽¹⁾ Test condition: values are measured by half of the maximum table load capacity. ⁽²⁾ Only for FANUC control.

⁽³⁾ At 60Hz.

- Machine specification might be different form the catalogue if there any specification update.

Main spindle: (B) Belt spindle (C) Coupling spindle

MV154 / MV184						MV184		
P			M			D		
9B	12B	15C	20C ⁽²⁾	15C	20C ⁽²⁾	12C	15C	20C ⁽²⁾
900 x 500 1,200 x 600						1,200 x 600		
762 / 530 / 560 1,020 / 610 / 610			700 / 530 / 560 900 / 610 / 610			1,020 / 610 / 610		
150 ~ 710 100 ~ 710						100 ~ 710		
500						500		
4,712 / 4,712 / 11,519			11,519 / 11,519 / 15,708			11,519 / 11,519 / 11,519		
6,951 / 6,951 / 11,310		6,951 / 6,951 / 13,666		11,310 / 13,666 / 13,666		-		
-						-		
4,712 / 4,712 / 14,137			-			-	8,378 / 10,472 / 14,137	-
40 / 40 / 36 (F) (T) (S)			24 (F) (T)			24 / 24 / 24		
4 / 4 / 4			3.5 / 3.5 / 8.5			3 / 3 / 3		
3.5 / 2.5 / 5			5 / 7 / 8.5			-		
-						-		
4 / 2.5 / 5			-			-	3 / 3 / 3	-
Ø45 / P = 16 / 16 / 12			Ø45 / P = 12 / 12 / 12			Ø45 / P = 12 / 12 / 12		
0.008 / 0.004						0.008 / 0.004		
±0.003 / ±0.002						±0.003 / ±0.002		
0.008 / 0.004						0.008 / 0.004		
40 Taper						40 Taper		
9,000	12,000	15,000	20,000	15,000	20,000	12,000	15,000	20,000
Random						Random		
30 (std.) 48 & 60 (opt.)						30 (std.) 48 & 60 (opt.)		
76.2			76.2			76.2		
125			125			125		
280			280			280		
7			7			7		
4 (F) 4.5 (T) 4.7 (S)			4 (F) 4.2 (T)			4		
480L						480L		
75 L / min., 3 bar						75 L / min., 3 bar		
25 L / min., 8 bar			25 L / min., 20 bar			-		
75 L / min., 3 bar						75 L / min., 3 bar		
2,860		3,025 / 3,030		3,025 / 3,030		3,030		
2,663 x 3,135 2,912 x 3,339						2,912 x 3,339		
2,663 x 3,135 / 2,663 x 3,240 2,912 x 3,339 / 2,912 x 3,349						2,912 x 3,339 / 2,912 x 3,349		
6,100-6,400 / 7,090						6,890		
220V or 380V or 400V or 415V / 50Hz or 60Hz						220V or 380V or 400V or 415V / 50Hz or 60Hz		
25 (F) (T) 29 (S)		33 (F) (T) 28 (S)		33 (F) (T)		23 (F)	33 (F) 29 (S)	33 (F)

●=Standard ○=Option x=N/A

Standard / Option accessories	MV134							MV154 / MV184								MV184				
	C	E		P				C	E		P				M		D			
Spindle code	12C	9B	12B	9B	12B	15C	20C	10C	12C	9B	12B	9B	12B	15C	20C	15C	20C	12C	15C	20C
■ QUASER mill i	●	○	●	×	×	×	×	×	●	○	●	×	×	×	×	×	×	●	○	○
Mold machining pack(R660)																				
AICC II (Look-ahead 200 blocks)																				
Smooth tolerance control	●	●	●	×	×	×	×	×	●	●	●	×	×	×	×	×	×	●	●	●
Jerk control																				
Machining quality level adjust function																				
FANUC - data server	○	○	○	○	○	○	○	○	○	○	○	○	○	○	○	○	○	●	●	●
■ FANUC 311B <AICC II (Look-ahead 200 blocks)>	×	×	×	○	●	○	○	×	×	×	×	○	●	○	○	●	○	×	×	×
FANUC - data server	○	○	○	○	○	○	○	○	○	○	○	○	○	○	○	○	○	●	●	●
FANUC - high speed processing (Look-ahead 600 blocks)	×	×	×	○	○	○	○	×	×	×	×	○	○	○	○	○	○	×	×	×
■ HEIDENHAIN TNC640	×	×	×	○	○	○	×	×	×	×	×	○	○	○	○	○	×	×	×	×
HEIDENHAIN advanced function set2																				
■ HEIDENHAIN TNC620	×	○	○	×	×	×	×	×	×	○	○	×	×	×	×	×	×	×	×	×
■ SIEMENS 828D	○	×	×	○	○	○	×	×	○	×	×	○	○	○	○	○	○	×	○	×
■ MITSUBISHI M80 (package A)	○	×	×	×	×	×	×	○	○	×	×	×	×	×	×	×	×	×	×	×
■ MITSUBISHI M830	×	×	×	×	×	×	×	○	○	×	×	×	×	×	×	×	×	×	×	×
■ 40 Taper 30 position tool magazine	●	●	●	●	●	●	●	●	●	●	●	●	●	●	●	●	●	●	●	●
■ 40 Taper 48 position tool magazine	×	○	○	○	○	○	○	×	×	○	○	○	○	○	○	○	○	○	○	○
■ 40 Taper 60 position tool magazine	×	○	○	○	○	○	○	×	×	○	○	○	○	○	○	○	○	×	×	×
■ 40 Taper 120 position tool magazine ⁽⁵⁾	×	×	×	×	×	×	×	×	×	×	×	×	×	×	×	×	×	×	×	×
■ ATC auto door	×	○	○	○	○	○	○	×	×	○	○	○	○	○	○	○	○	×	×	×
■ Tooling	●	●	●	●	●	●	●	●	●	●	●	●	●	●	●	●	●	●	●	●
- BT40																				
- ISO40 & DIN40	○	○	○	○	○	○	○	○	○	○	○	○	○	○	○	○	○	○	○	○
- HSK A63	×	×	×	×	×	○	○	×	×	×	×	×	×	○	○	○	○	×	×	×
■ Pull stud for BT tooling	○	●	●	●	●	●	●	○	○	●	●	●	●	●	●	●	●	×	×	×
■ Balance tooling for spindle warm up	○	●	●	●	●	●	●	○	○	●	●	●	●	●	●	●	●	×	×	×
■ BBT spindle attachment (simultaneous contact)	●	●	●	●	●	●	●	●	●	●	●	●	●	●	●	●	●	●	●	●
■ Oil chiller	●	●	●	●	●	●	●	●	●	●	●	●	●	●	●	●	●	●	●	●
■ 4 th axis preparation	×	●	●	●	●	●	●	×	×	●	●	●	●	●	●	●	●	×	×	×
■ Ø255mm rotary table & tail stock	×	○	○	○	○	○	○	×	×	○	○	○	○	○	○	○	○	×	×	×
■ Remote MPG ⁽¹⁾	○	○	○	○	○	○	○	○	○	○	○	○	○	○	○	○	○	○	○	○
■ Transformer ⁽²⁾	○	○	○	○	○	○	○	○	○	○	○	○	○	○	○	○	○	○	○	○
■ Linear scale	×	○	○	○	○	○	○	×	×	○	○	○	○	○	○	○	○	○	○	○
■ Thermal compensation	×	×	×	×	×	○	○	×	×	×	×	×	×	○	○	○	○	×	×	×
■ Work probe receive OMI-2T	×	○	○	○	○	○	○	×	×	○	○	○	○	○	○	○	○	○	○	○
■ Work probe	×	○	○	○	○	○	○	×	×	○	○	○	○	○	○	○	○	○	○	○
■ Tool length / breakage measurement	○	○	○	○	○	○	○	○	○	○	○	○	○	○	○	○	○	○	○	○
■ Coolant system	●	●	●	●	●	●	●	●	●	●	●	●	●	●	●	●	●	●	●	●
■ Coolant wash down / wash gun	●	●	●	●	●	●	●	●	●	●	●	●	●	●	●	●	●	●	●	●
■ Air gun	○	○	○	○	○	○	○	○	○	○	○	○	○	○	○	○	○	○	○	○
■ Coolant through ball screw	×	×	×	○	○	○	○	×	×	×	×	○	○	○	○	○	○	○	○	○
■ Coolant through spindle 8 bar	○	●	●	●	●	●	●	×	×	●	●	●	●	●	●	×	×	×	×	×
■ Coolant through spindle 20 bar	○	○	○	○	○	○	○	×	×	○	○	○	○	○	○	○	○	○	○	○
■ Coolant through spindle 50 bar	×	○	○	○	○	○	○	×	×	○	○	○	○	○	○	○	○	×	×	×
■ Cutter air blast	●	●	●	●	●	●	●	●	●	●	●	●	●	●	●	●	●	●	●	●
■ Chip auger	●	●	●	●	●	●	●	●	●	●	●	●	●	●	●	●	●	●	●	●
■ Scraper external lift-up conveyor	○	●	●	●	●	●	●	○	○	●	●	●	●	●	●	●	●	○	○	○
■ Hinge external lift-up conveyor	○	○	○	○	○	○	○	○	○	○	○	○	○	○	○	○	○	○	○	○
■ Scraper external lift-up conveyor (drum type)	○	○	○	○	○	○	○	○	○	○	○	○	○	○	○	○	○	○	○	○
■ Hinge external lift-up conveyor (drum type)	○	○	○	○	○	○	○	○	○	○	○	○	○	○	○	○	○	○	○	○
■ Oil-mist collector	○	○	○	○	○	○	○	○	○	○	○	○	○	○	○	○	○	○	○	○
■ Bag filtration	×	○	○	○	○	○	○	×	×	○	○	○	○	○	○	○	○	×	×	×
■ Filtration unit	×	○	○	○	○	○	○	×	×	○	○	○	○	○	○	○	○	×	×	×
■ Documentation (USB) ⁽³⁾	●	●	●	●	●	●	●	●	●	●	●	●	●	●	●	●	●	●	●	●
■ Total Enclosure Guard (with Top side cover)	●	●	●	●	●	●	●	●	●	●	●	●	●	●	●	●	●	●	●	●
■ Foundation bolts & blocks	●	●	●	●	●	●	●	●	●	●	●	●	●	●	●	●	●	●	●	●
■ Work light	●	●	●	●	●	●	●	●	●	●	●	●	●	●	●	●	●	●	●	●
■ Machine status light	●	●	●	●	●	●	●	●	●	●	●	●	●	●	●	●	●	●	●	●
■ CE & EMC ⁽⁴⁾ / GB	○	○	○	○	○	○	○	○	○	○	○	○	○	○	○	○	○	○	○	○

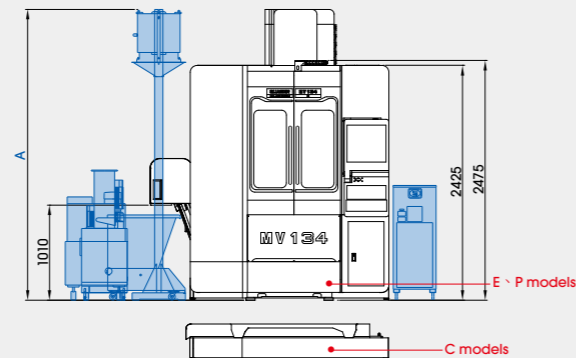
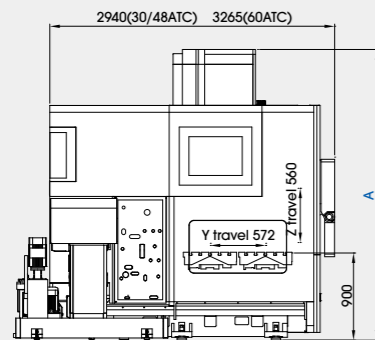
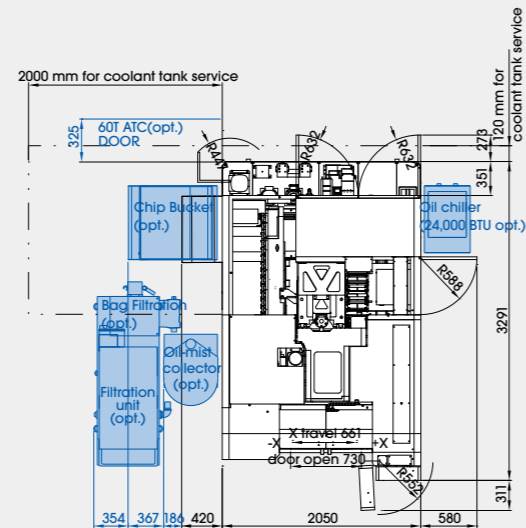
Note: ⁽¹⁾ HEIDENHAIN as standard. ⁽²⁾ Transformer as standard or option item will be varied according to control system and power supply condition. ⁽³⁾ Paper documentation is option. ⁽⁴⁾ Standard for EU area except C type. ⁽⁵⁾ Only for MV184 coupling spindle.
 - Machine specification might be different from the catalog if there is any specification update.

Machine Dimensions

MV134

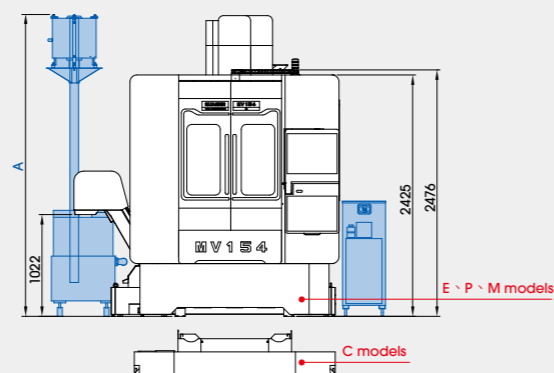
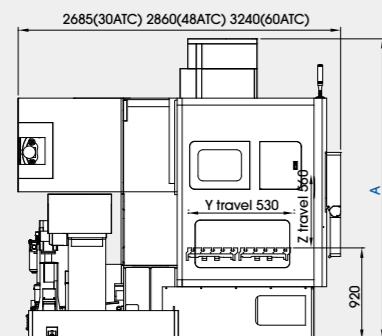
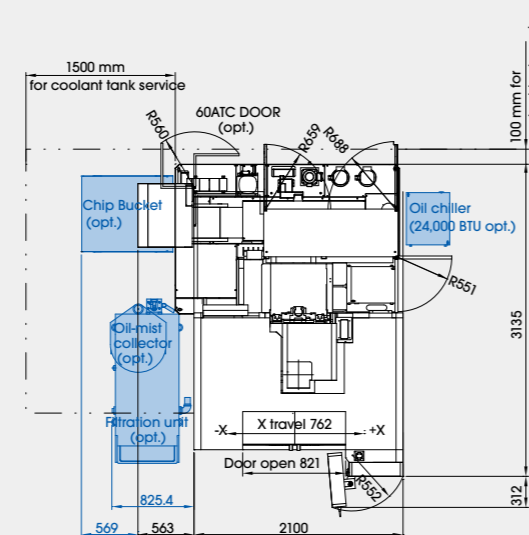
Installation dimension

A	12C/15C/20C	3,005
	9B / 12B	2,915



MV154

A	10C/12C/15C/20C	3,025
	9B / 12B	2,860



MV184

Installation dimension

A	10C/12C/15C/20C	3,030
	9B / 12B	2,860

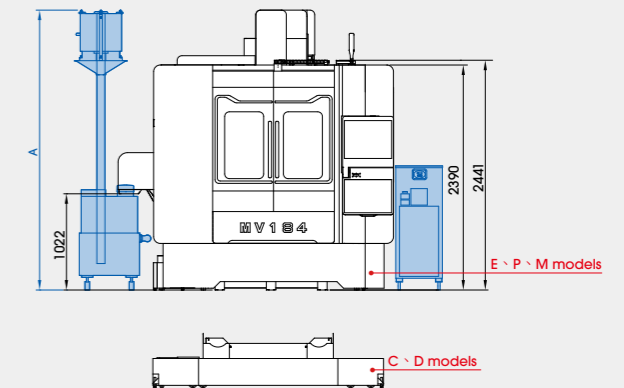
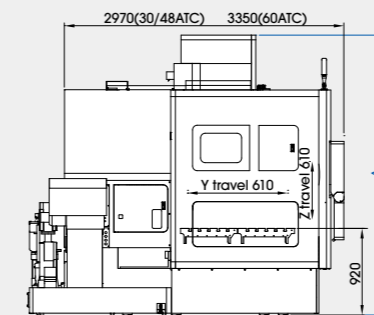
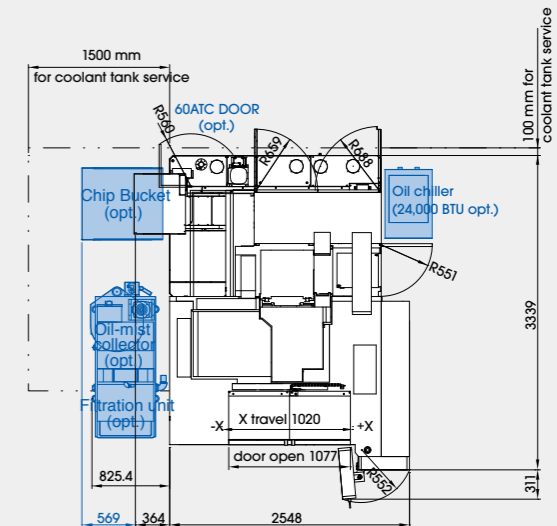
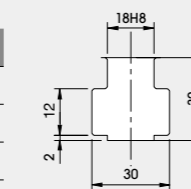
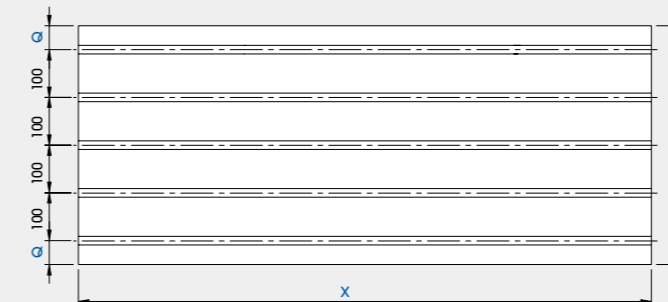
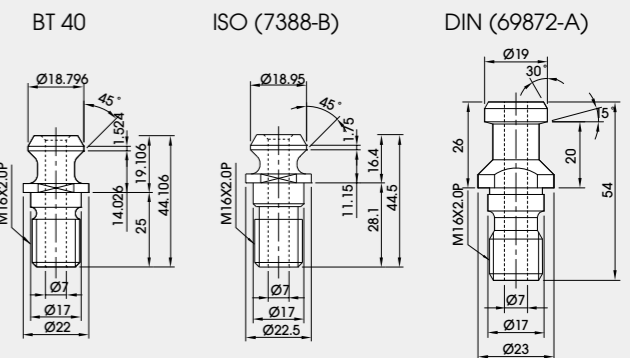


Table dimension

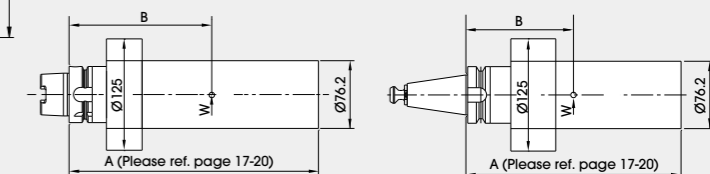
	MV134	MV154	MV184
X	940	900	1200
Y	550	500	600
Q	75	50	100



Pull stud and applicable tools



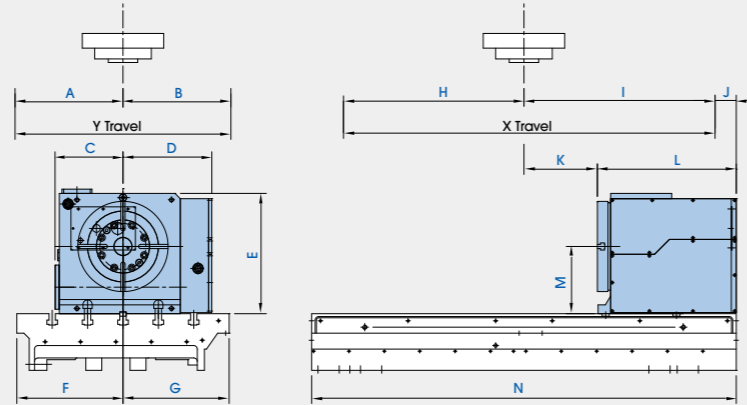
B tool median point distance
 W tool weight
 $MOMENT=W*B(\leq 10.29N\cdot m)$ $MOMENT=W*B(\leq 9.85N\cdot m)$



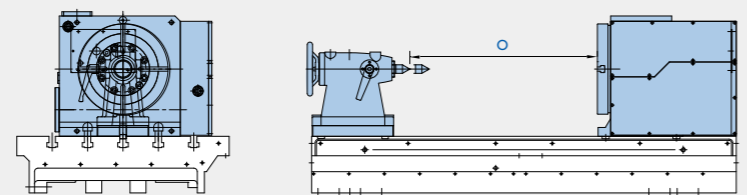
- Very classic craftsmanship combined with the most advanced modern equipment in a clean environment...

	MV134	MV154	MV184
A	286	265	305
B	286	265	305
C	192	192	192
D	251	251	251
E	352	352	352
F	375	265	300
G	175	250	300
H	330.5	381	510
I	330.5	381	510
J	232	98	30
K	170	55.5	147.5
L	392.5	392.5	392.5
M	190	190	190
N	940	900	1200
O	364	230	470
P	340	300	515
Q	391	391	391
R	35	35	35
S	360	-	-

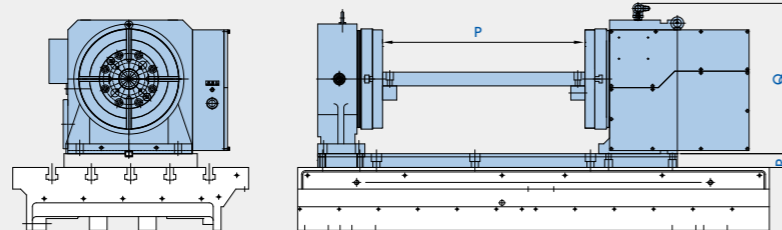
GV255HB



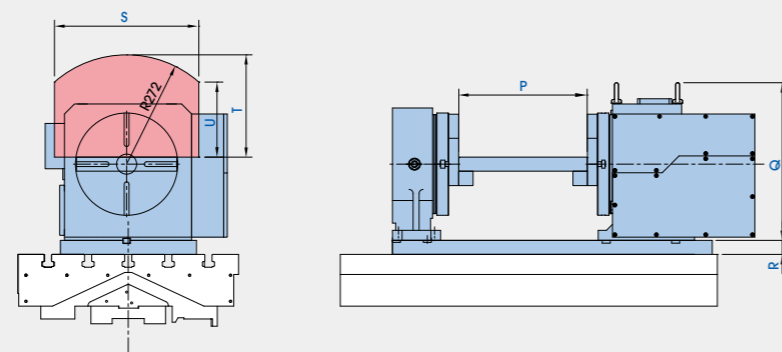
GV255HB+ST255



GV255HB+Fixture 2 (MV154/MV184)



GV255HB+Fixture2 (MV134)



QUASER MACHINE TOOLS, INC.

Address: No. 3, Gong 6th Rd., Youshih
Industrial Park, Dajia Dist,
Taichung City 43768, Taiwan
Tel: +886 4 26821277
Fax: +886 4 26822045
E-mail: sales@qmt.com.tw
Web: www.quaser.com



QUASER EUROPE TECHNIC CENTER - SWITZERLAND

Address: Unterlettenstrasse 16, CH- 9443
Widnau Switzerland
Tel: +41 71 722 43 43
Mobile phone: +41798229028
E-mail: qe@qmt.com.tw



KUNSHAN QUASER MACHINE TOOLS, INC.

Address: (B) No. 287, Kangzhuang Road,
Zhoushi Town, Kunshan City,
Jiangsu, P.R. China
Tel: 0512-82627139
Fax: 0512-82627138
E-mail: qmtc@qmt.com.tw



QUASER AMERICA MACHINE TOOLS INC.

Address: 3049 Southcross Boulevard, Rock Hill,
SC, 29730, UNITED STATES
Tel: +1 803-324-7123
Fax: +1 888-459-8175
E-mail: qa@qmt.com.tw

